

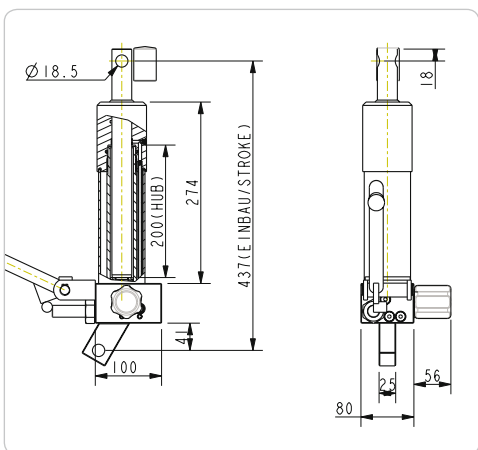


PUMP UNITS



HYDRAFLEX a/s

VHL MODELS



Combined hand-operated hydraulic pump and throttle cylinder for built-in purpose, when reliability and easy operation in an rough environment are imperative

Can be placed in angles down to 5° in proportion to horizontal level

No maintenance due to closed hydraulic system

Safety release with excess-pressure valve

Galvanized surface treatment IP 65

Pumping handle and fittings can be individually made

4 standard models

VHL 2024-4 / 2025



Capacity: 2000 kg
Lifting height: 200-510 mm

Options

Stainless steel rod

Lock for handle

Galvanized in Silver or gold

Painted instead of galvanized

VHL 2022 / 2022-I



Capacity: 2000 kg
Lifting height: 200-510 mm

VHL	2024-4	2025	2022	2022-I
Capacity	2000 kg	2000 kg	2000 kg	2000 kg
Lifting height	200 mm	300 mm	444 mm	510 mm
Min length	437 mm	537 mm	656 mm	689 mm
Max length	637 mm	837 mm	1100 mm	1199 mm
Speed (per stroke)	8,4 mm	8,4 mm	8,4 mm	8,4 mm

AH & AF MODELS



Hand-operated hydraulic pump cylinder for built-in purpose, when high capacity and safety are imperative

- No maintenance due to closed hydraulic system
- Safety release with excess-pressure valve
- Manual dead man's release for optimum safety when lowering
- Pumping handle and top fitting can be individually made
- 360° pivotable fittings ensure easy operation in confined constructions
- Painted

AH 3500 / 5000



Capacity: 3500 / 5000 kg
Lifting height: 500 / 650 mm

Combined Foot and hand-operated hydraulic pump for built-in purpose, when easy operation and safety are imperative

- Safety release with excess-pressure valve
- Manual dead man's release for optimum safety when lowering
- Food pump
- Lifting height can be designed from 300 to 850 mm
- 360° pivotable fittings ensure easy operation in confined constructions
- Painted

AF 1000-1 / 1000-2



Capacity: 1000 kg
Lifting height: 500 / 850 mm

Hydraflex is very quality-minded and to ensure a constant high level, our quality control system is certified according to ISO 9001.

Among other things this requires evaluation of suppliers and internal procedures on a regular basis.

ISO 9001
BUREAU VERITAS
Certification



	AH3500	AH5000	AF1000-1	AF1000-2
Capacity	3500 kg	5000 kg	1000 kg	1000 kg
Lifting height	500 mm	650 mm	500 mm	850 mm
Speed (per stroke)	6 mm	3 mm	7 mm	7 mm

PHC MODELS



Hand-operated hydraulic unit with separate cylinder. For safety and flexibility. Single acting cylinder version

Safety release with excess-pressure valve

Precise lowering due to hand operated release valve

No maintenance due to closed hydraulic system

Length of hoses and cylinder plus fittings can be individually made

Low cost

PHC-2000-E



Capacity: 2000 kg



Hand-operated double acting hydraulic unit with separate cylinders. For safety and flexibility.

Pumping is possible in both directions

Extremely durable pump

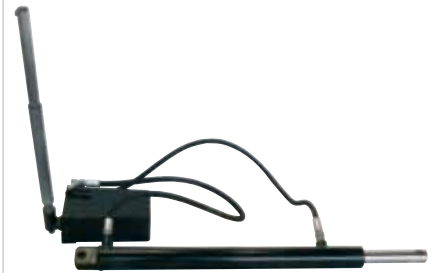
Safety release with excess-pressure valve

Precise lowering due to hand operated release valve

No maintenance due to closed hydraulic system

Length of hoses and cylinder plus fittings can be individually made

PHC-2000-D



Capacity: 2000 kg



Hydraflex A/S

Fanøvej 10 • DK-8800 Viborg

Tel.: +45 87 27 64 40 • Fax: +45 86 60 29 87

E-mail: hydraflex@hydraflex.dk • www.hydraflex.dk